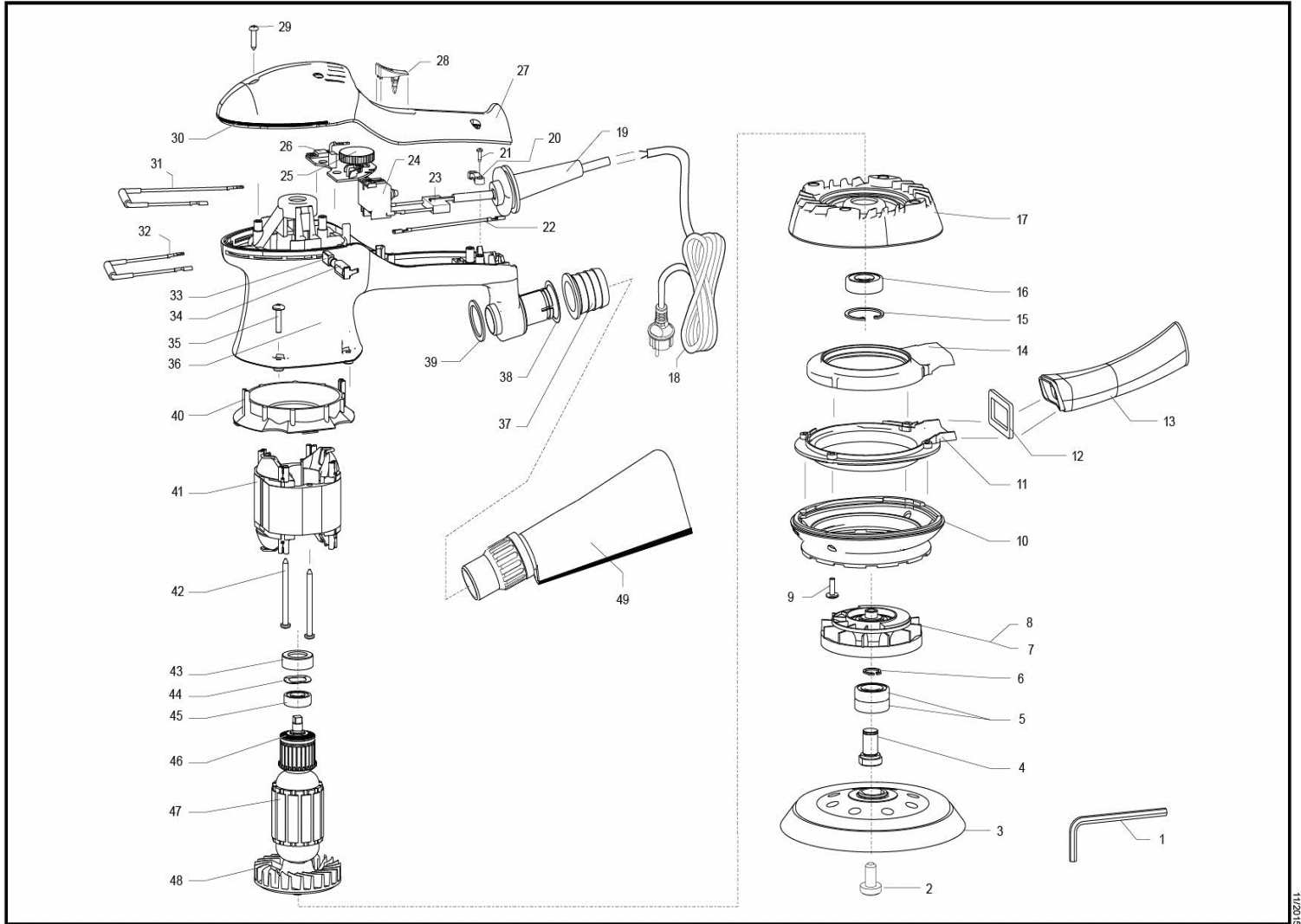


LEVIGATRICI ROTORBITALI CON ASPIRAZIONE  
RANDOM ORBITAL SANDERS WITH DUST EXTRACTION



| ID  | ITEM           | DESCRIPTION  |
|-----|----------------|--|
| 001 | 9.1395         | ALLEN SPANNER 5mm  |
| 002 | 9.715          | SCREW M8 x 16 T.B. ZINC-PLATED WITH WASHER               |
| 003 | 981.300N/5     | BOX 5pcs. Ø 150mm PAD VELCRO 15 HOLES M8 HARD            |
| 004 | 56.293N/C      | ECCENTRIC SHAFT ASSEMBLY                                 |
| 005 | 9.189/10       | CUSC. DOPPIA CORONA 3001 12-28-12                        |
| 006 | 9.102          | SEEGER d 12 TIPO E DIN 471 CR3 PHOSPHATE                 |
| 007 | 84.293N/C      | TURBINE W/EXCENTRIC SET                                  |
| 007 | 84.295N/C      | TURBINE W/EXCENTRIC SET ORB.5 ER05TE                     |
| 009 | 9.6153         | SCREW M4 x 12 ACC.8.8 T.CROSS D.10 BRU.                  |
| 010 | 65.293         | RUBBER RING  |
| 011 | 326.293        | WOVEN-WIRE COVER   |
| 012 | 672.293        | HOSE GASKET  |
| 013 | 67.293         | SUCTION PIPE   |
| 014 | 327.293        | CONVEYOR BASE ER03TE                                     |
| 015 | 9.127          | SEEGER d 30 DIN 472 (inner)                              |
| 016 | 9.42/10        | BEARING NSK 6200 DDUCM J NS7SQ                           |
| 017 | 32.293         | MOTOR FLANGE   |
| 018 | 9C2X1,0NAU5FOR | CABLE 2X1 (plug Australia) H07RN-F mt.5                  |
| 018 | 9C2X1,0NGB4FOR | CABLE 2X1 (plug UK) with fork H07RN-F CENTRAL METAL PLUG |
| 018 | 9C2X1,0N485FOR | CAVO 2x1 (spina Schuko d4,8) mt.5 H05RN-F con forchetta  |
| 018 | 9C2X1,0R404FOR | CABLE 2X1 (plug D4) H07RN-F mt.4 with fork (only Swiss)  |
| 018 | 9C2X1,25VJA5   | CABLE 2x1,25 (plug JAPAN) mt.5                           |
| 018 | 9C2X1,5V003FOR | CABLE 2X1,5 (without plug) mt.3,50 with fork             |
| 019 | 42.290         | CABLE SLEEVE SS31TE                                      |
| 020 | 444.14         | CABLE CLAMP NYLON  |
| 021 | 9.660          | SCREW 3,9x16 ( 7x5/8" ) T.C.C.                           |
| 022 | 772.290        | CABLE SWITCH   |
| 023 | 77.290         | CONDENSER  |
| 024 | 45.210         | SWITCH   |
| 025 | 403.209        | MODUL CONTROL WHEEL WITH NUMBERING (BLACK)               |
| 026 | 400.290        | ELECTRONIC MODULE  |
| 026 | 400.290/110    | ELECTRONIC MODULE 50HZ                                   |
| 027 | 44.293         | CAP  |
| 027 | 44.295         | CAP  |
| 028 | 38.290         | SWITCH BUTTON nylon                                      |
| 029 | 9.660          | SCREW 3,9x16 ( 7x5/8" ) T.C.C.                           |
| 031 | 774.290        | INDUCTANZE CABLE   |
| 032 | 773.290        | INDUCTANCE SO31TE  |
| 033 | 47.290/10      | 10 BRUSHES BLISTER ER05-SO31                             |
| 034 | 46.265         | BRUSH HOLDER LE21/LS21/ER03/ER05                         |
| 035 | 9.6154         | SCREW M4 x 16 ACC.8.8 T.CROSS D.10 BRU.                  |
| 036 | 31.290         | SO31TE/ER05TE MOTOR BODY                                 |
| 037 | 663.033        | FILLER CONNECTOR   |
| 038 | 9.509          | O-RING 2087  |
| 040 | 73.290         | AIR BULKHEAD   |
| 041 | 2.293/230      | STATOR (V.230-240)                                       |
| 041 | 2.293/110      | STATOR (V.110)   |
| 042 | 9.651          | SCREW 4,2x50 ( 8x2" ) T.C.C.                             |
| 043 | 268.210        | BEARING CAP  |
| 044 | 9.338          | WASHER d21,8x14 s 0,3 LMKAS 22                           |
| 045 | 9.35/10        | BEARING NSK 608 DD1MC3E J PS2SQ                          |
| 046 | 405.281        | MAGNETIC RING  |
| 047 | 1.293/230      | ROTORE (V.230-240) ER03TE                                |
| 047 | 1.293/110      | ROTORE (V.100-V.110) ER03TE                              |
| 048 | 15.293         | FAN  |
| 049 | 80.89          | BAG  |

# **RUPES**

**R.U.P.E.S. spa**  
**Realizzazione Utensili**  
**Pneumatici Elettrici Speciali**  
sede operativa: via Marconi, 3A  
20080 Vermezzo (MI) - Italy  
tel.: ++39.02.946941  
fax.: ++39.02.94941040  
e-mail: info\_rupes@rupes.it

web: [www.rupes.com](http://www.rupes.com)  
cod.fisc. e part. IVA: IT 05094230157  
cap.sociale: euro 2.100.000 int.ver.  
REA: MI-1163819  
Reg. Imprese n. 0509430157  
sede legale: v.le Bianca Maria, 13 - Milano  
REG. RAEE: IT08020000000741  
REG. PILE: IT09060P00000205